

HA16 RTJ PRO



PERFORMANCE & EASE OF USE

- > Industry leading working envelope with an outreach of 8.3 m
- > Best lifting speed of 40 sec
- > Fully proportional and simultaneous movements
- > 4-wheel steer and 360° continuous rotation for a greater productivity

BEST COMFORT AND SAFETY FEELING

- > Haulotte Activ'Shield Bar 2.0
- > Haulotte Activ'Lighting System for safe loading / unloading in conditions of low visibility

MINIMIZED TOTAL COST OF OWNERSHIP

- > Haulotte Activ'Screen (on board diagnostic)
- > Haulotte Stop Emission System: automatically turns the engine off & on
- > Easy access to all components

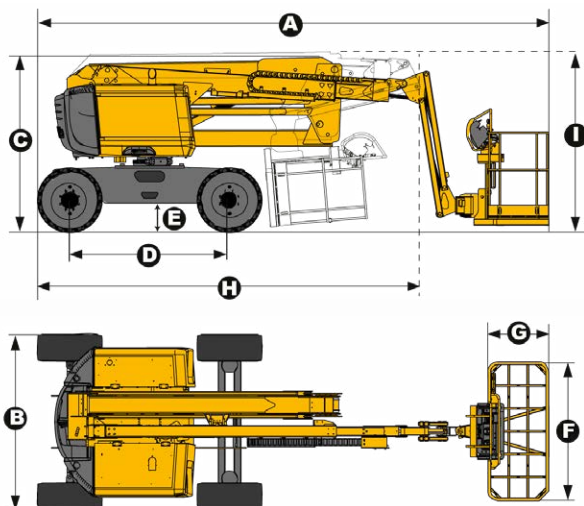
HA16 RTJ PRO

ROUGH TERRAIN ARTICULATING BOOMS

TECHNICAL DATA

HA16 RTJ PRO

| | |
|-------------------------------------|--|
| Working height | 16 m |
| Platform height | 14 m |
| Horizontal outreach | 8.3 m |
| Up and over clearance | 7.65 m |
| Lift capacity | 230 kg (2 pers.) |
| F x G Platform size | 1.83 x 0.80 m |
| A Length - stowed | 6.75 m |
| B Width | 2.3 m |
| C Height - stowed | 2.3 m |
| H Storage / transport length | 5.05 m |
| I Storage / transport height | 2.4 m |
| Vertical jib rotation | 140° (- 80° / + 60°) |
| Platform rotation | 165° (- 75° / + 90°) |
| Turntable rotation | 360° continuous |
| Tailswing | 10 cm |
| D Wheelbase | 2.1 m |
| E Ground clearance | 37 cm |
| Tilt | 5 ° |
| Drive speed | 5.2 km/h |
| Maximum wind speed rating | 45 km/h |
| Gradeability | 40 % |
| Turning radius - outside | 3.75 m |
| Tyres - solid rough terrain | 830 x 285 mm |
| Power source | Kubota / Perkins, 18.5 kW (Stage 5 in EU) - Kubota, 26.5 kW, (Stage 3A in NRC) |
| Weight | 6 540 kg |



STANDARD EQUIPMENT

- > Haulotte Activ'Shield Bar 2.0
- > Haulotte Stop Emission System
- > Haulotte Activ'Lighting System
- > Embedded diagnostic system Haulotte Activ'Screen on lower control box, with color screen.
- > Universal telematics plug
- > 4 wheel drive
- > 4 wheel steer
- > Front oscillating axle increases stability on uneven ground
- > 4 simultaneous movements for maximum productivity
- > Permanent limited slip differential
- > Upper control box cover
- > Tool tray
- > 230 kg (2 persons) load capacity
- > Modular standard basket 1.83 m x 0.80 m, quick & easy to repair
- > Drop bar entry gate
- > AC power to platform (110 / 230 V)
- > Swing out engine tray for ease of maintenance
- > Sound and light alarm for tilt and load
- > Rotating beacon
- > Travel alarm
- > Hour meter
- > 12 V battery / electrical control system
- > Engine pre-heater with light indicator
- > Low fuel level indicator (upper & lower control boxes)
- > Electric pump system and emergency descent

OPTIONS AND ACCESSORIES

- > Large cured on solid rough terrain tires 1025 x 365
- > Non-marking tyres
- > Modular large basket 2.44 m x 0.91 m quick and easy to repair
- > Power to platform (female plug in the basket with or without circuit-breaker 30 mA)
- > Air-line to platform 6.5 mm inner diameter
- > Lateral swing door entry gate
- > Hydraulic generator Dynaset 3.5 Kw
- > Biodegradable hydraulic oil
- > Hot weather kit: hydraulic oil cooler + hydraulic oil
- > Cold weather kit : - 10°C / - 25°C
- > Working light
- > Battery cut-off

