

FALCON LIFTS A/S

Tolderlundsvej 106
DK-5000 Odense C
Tel: +45 66 13 11 00

falconlifts.com

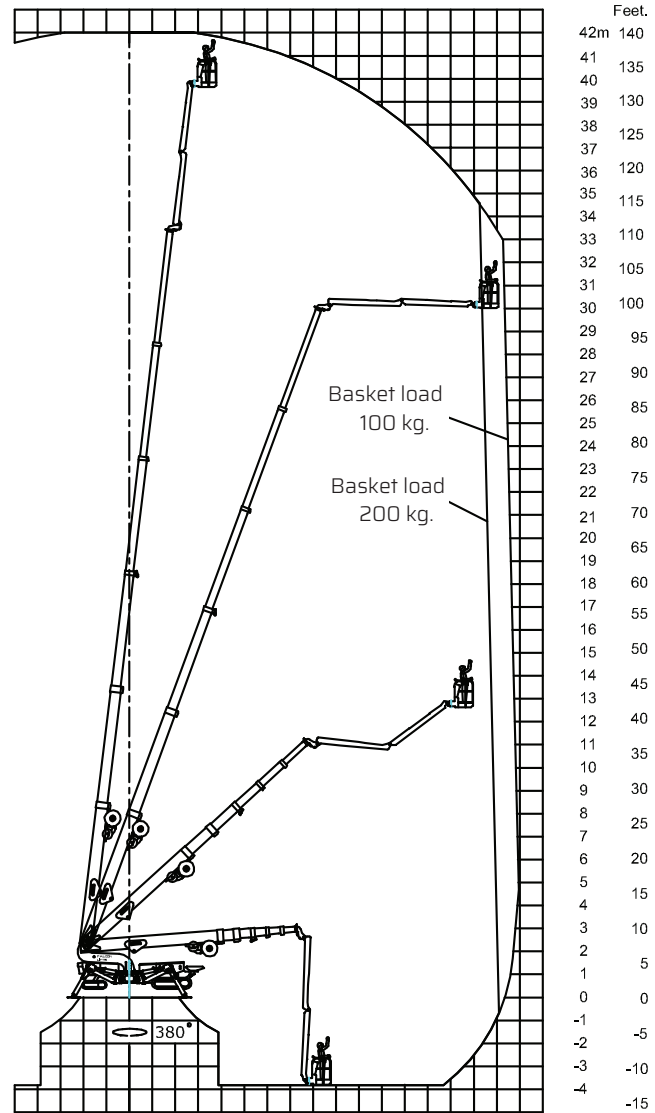
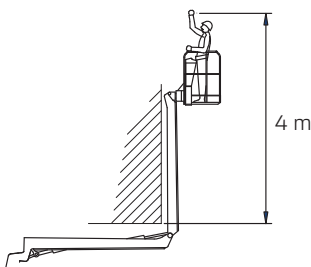
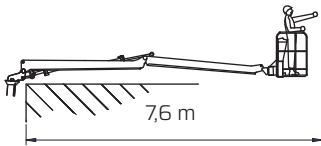
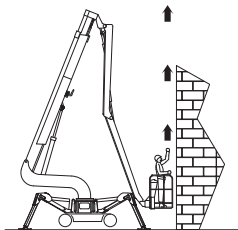
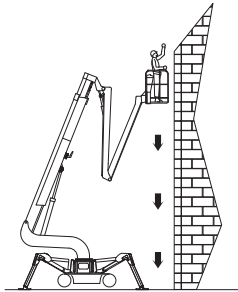
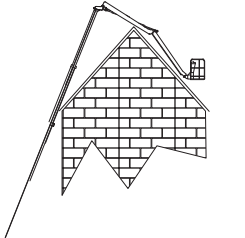


FALCON 420

Double Track

Reach diagram - Optimized position

5 4 3 2 1 0 1 2 3 4 5 6 7 8 9 10 11 12 13 14 15 16 17 m
15 10 5 0 5 10 15 20 25 30 35 40 45 50 55 ft

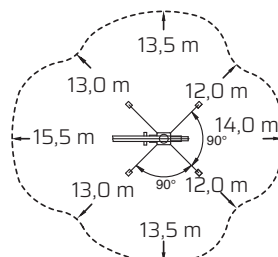


Reach with outriggers in different positions

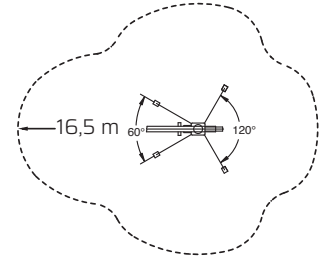
Standard

Measurements in meters

Optimized



Basket load = 200 kg



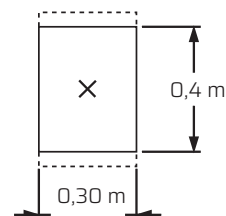
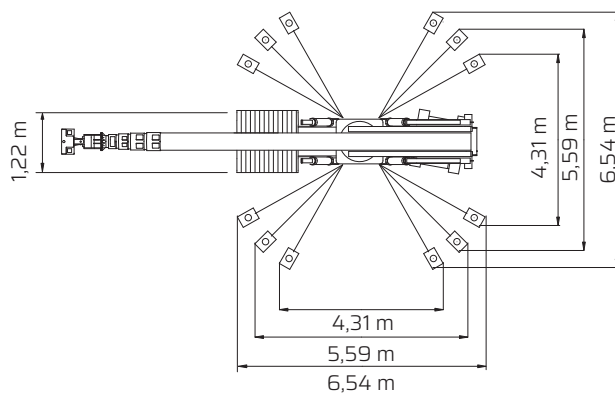
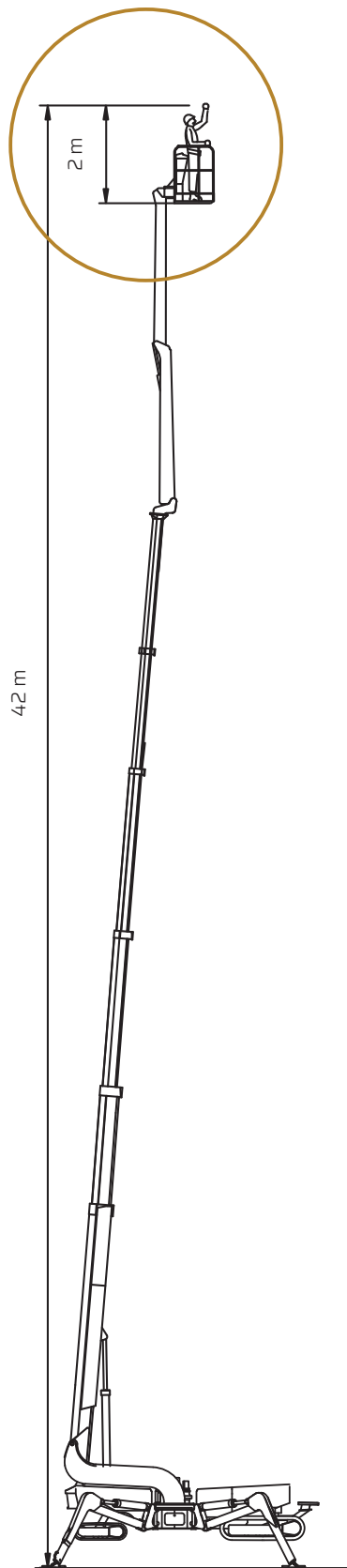
Basket load = 100 kg

All measurements are intended as guide. Choise of equipment may change the mentioned measurements

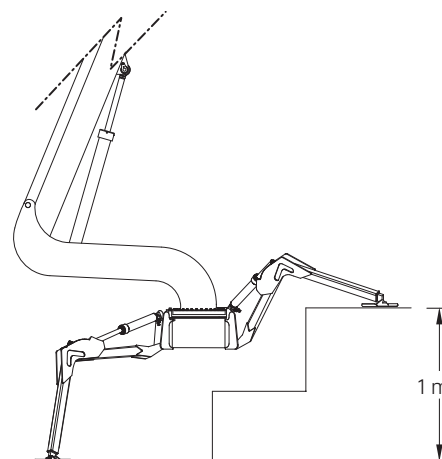
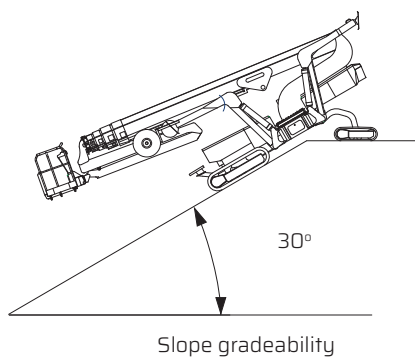
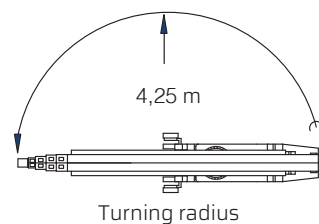
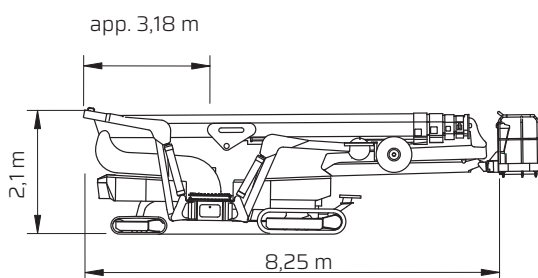
FALCON 420

Double Track

Outer measurements



Outrigger plate area = 1200 cm²



Additional info:

Weight and ground pressure:

Weight with standard equipment	8200	kg.
Surface pressure under crawlers (soft surface)	0,80	kg/cm ²
Surface pressure under crawlers (hard surface)	1,65	kg/cm ²
Max. ground pressure under 1 outrigger plate	3,10	kg/cm ²