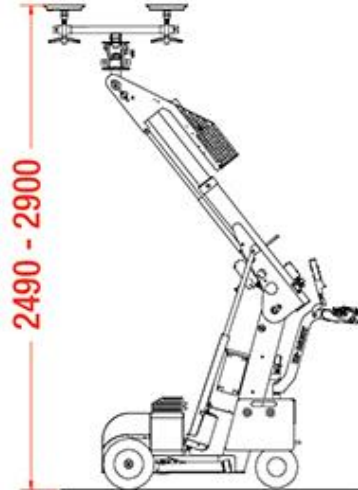
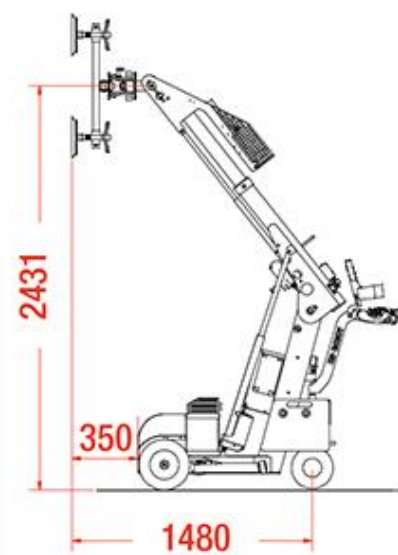
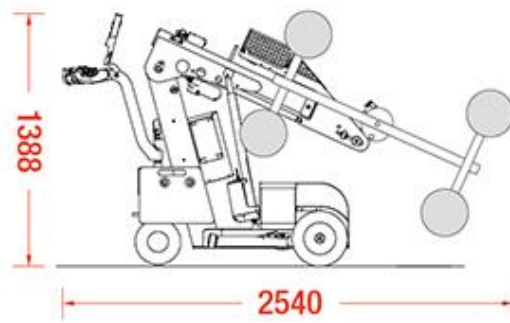
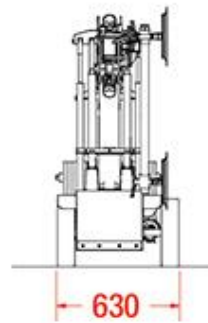
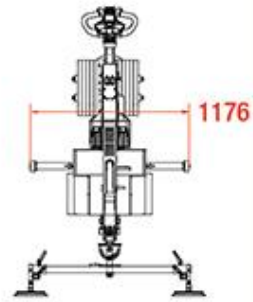
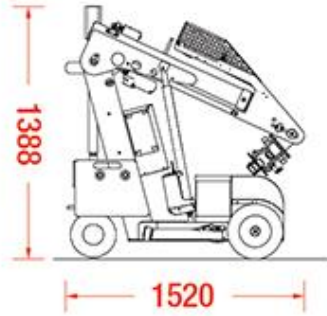
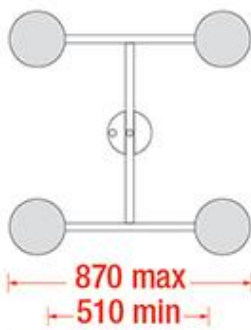
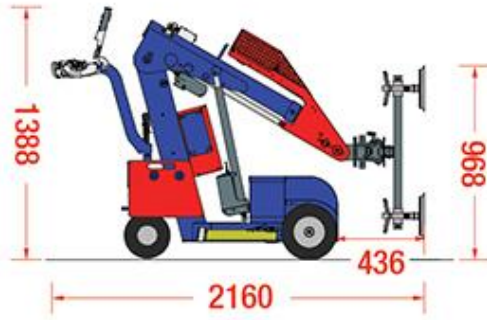
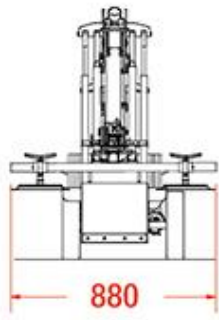


## Technical Data (mm)



N.B. Reset of vertical head pin required