

Weights

Operating weight	2565 kg
Additional weight for cab with heating	130 kg
Additional weight for long dipperstick	10 kg
Additional weight for counter weight	183 kg
Ground pressure with rubber tracks	25.50 kPa

Engine

Make / model	Kubota / D1105-E2B-BCZ-2
Fuel	Diesel
Number of cylinders	3
Displacement	1123 cm ³
Maximum NET power (ISO 9249)	14.2 kW
Maximum NET torque (ISO 9249)	65.8 Nm

Performance

Digging force, dipperstick (ISO 6015)	15800 N
Digging force, long dipperstick (ISO 6015)	13200 N
Digging force, bucket (ISO 6015)	22200 N
Drawbar pull	30200 N
Travel speed, low range	2.4 km/h
Travel speed, high range	4.6 km/h

Hydraulic System

Pump type	Dual outlet variable displacement piston pump with gear pumps
Piston pump capacity	28.80 L/min
Auxiliary flow	48.00 L/min
Auxiliary relief	180.0 bar

Slew System

Boom swing, left	60.0°
Boom swing, right	60.0°
Slew rate	9.3 RPM

Fluid Capacities

Cooling system	4.60 L
Engine lubrication plus oil filter	5.10 L
Fuel reservoir	34.60 L
Hydraulic system	25.00 L

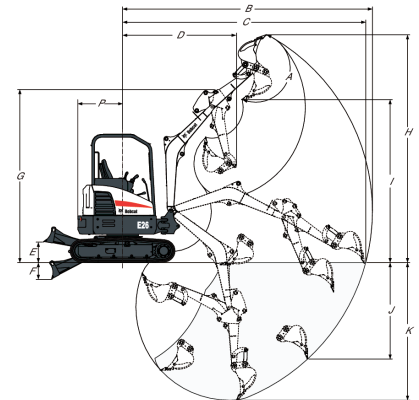
Environmental

Noise level LpA(EU Directive 2006/42/EC)	77 dB(A)
Noise level LWA(EU Directive 2000/14/EC)	93 dB(A)
Whole body vibration (ISO 2631-1)	0.17 ms ⁻²
Hand-arm vibration (ISO 5349-1)	0.63 ms ⁻²

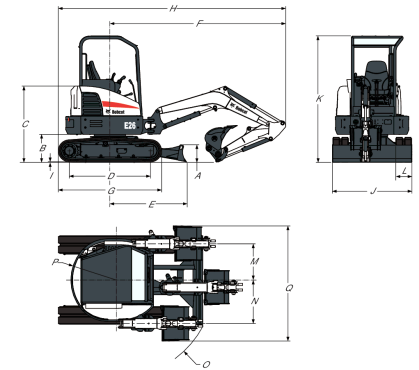
Standard Features

1515 mm dozer blade	Fingertip auxiliary hydraulic control
300 mm rubber tracks	Horn
Auto shift travel	Hydraulic joystick controls
Auxiliary hydraulics with Quick Couplers	Retractable seat belt
Blade float feature	Suspension seat with high back
Clamp ready	TOPS/ROPS* canopy ¹
Control console locks	Two-speed travel
Cupholder	Work lights (boom and upperstructure)
Engine/hydraulic monitor with shutdown	Warranty: 12 months, 2000 hours (whichever occurs first)

1. Roll Over Protective Structure (ROPS) – Meets requirements of ISO 3471. Tip Over Protective Structure (TOPS) – Meets requirements of ISO 12117.

Working Range


(A)	185.0°	(G)	3246.0 mm
(B)	4552.0 mm	(H)	4272.0 mm
(B*)	4966.0 mm	(H*)	4473.0 mm
(C)	4678.0 mm	(I)	3057.0 mm
(C*)	4850.0 mm	(I*)	3258.0 mm
(D)	2132.0 mm	(J)	1809.0 mm
(D*)	2135.0 mm	(J*)	2089.0 mm
(E)	385.0 mm	(K)	2582.0 mm
(F)	315.0 mm	(K*)	2890.0 mm

Dimensions


(A)	330.0 mm	(J)	1515.0 mm
(B)	536.0 mm	(K)	2412.0 mm
(C)	1456.0 mm	(L)	300.0 mm
(D)	1543.0 mm	(M)	614.0 mm
(E)	1462.0 mm	(N)	735.0 mm
(F)	3345.0 mm	(O)	1661.0 mm
(G)	1965.0 mm	(P)	770.0 mm
(H)	4326.0 mm	(P*)	840.0 mm
(H*)	4864.0 mm	(Q)	1949.0 mm
(I)	25.0 mm	(R)	1675.0 mm

Options

Auto idle	FOGS kit (Overhead guard)
TOPS/ROPS cab with heater	Travel motion alarm
Long dipperstick	Steel tracks
Additional counterweight	Beacon kit
2nd Auxiliary hydraulics	Left and right mirror kit
Deluxe textile suspension seat	Additional work light kit
Boom safety valve with overload warning	Fuel filter with transparent water separator
Boom & arm safety valves with overload warning	Hydraulic coupler lines
AM/FM stereo radio	