

Performance

Lifting height	5800.0 mm
Rated capacity	3000 kg
Capacity (at max. height)	2500 kg
Capacity (at max. reach)	1250 kg
Max. reach	3100.0 mm
Crowding force	4600 daN

Weights

Weight (unladen)	5220 kg
------------------	---------

Traction

Standard tyres	Standard 405/70x20 14PR
1st gear / low range (40 km/h option)	10 (10) km/h

Drive System

Main drive	Hydrostatic motor
Transmission	Hydrostatic with electronic regulation

Engine

Make / Model	Deutz TCD 3.6 L4
Fuel	Diesel
Cooling	Liquid
Rated power (ISO 14396:2002) at 2200 RPM	74.4 kW
Maximum torque at 1400 RPM	410.0 Nm
Number of cylinders	4
Displacement	3.62 L

Hydraulic System

Pump type	Gear pump with LS valve
-----------	-------------------------

Cycle Times

Lift time - no load	5.3 s
Lower time - no load	4.0 s
Telescope in time at max. reach - no load	3.6 s
Telescope in time at max. height - no load	3.6 s
Telescope out time at max. reach - no load	5.0 s
Telescope out time at max. height - no load	5.0 s

Brakes

Engine braking	Hydrostatic
Parking and emergency brake	Negative brake with hydraulic command

Fluid Capacities

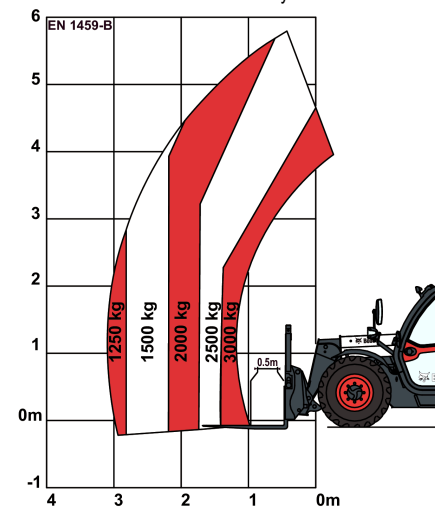
Fuel tank	115.00 L
Hydraulic reservoir	47.00 L

Environmental

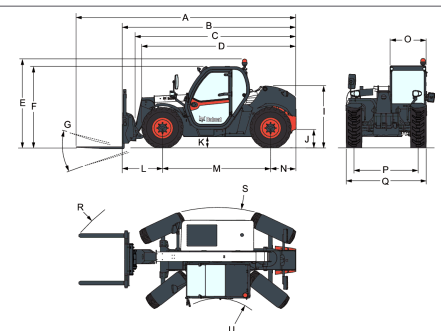
Operator noise level (LpA) (EN 12053)	77 dB(A)
Operator noise level (LpA) (EN 12053) uncertainty	4 dB(A)
Whole body vibration (EN 13059)	1.70 ms ⁻²
Whole body vibration uncertainty (EN 13059)	0.50 ms ⁻²

Load Charts

With forks and standard 405/70x20 tyres



Complies with stability test EN1459 annex B

Dimensions


(-)	857.0 mm	(L)	1020.0 mm
(A)	5707.0 mm	(M)	2820.0 mm
(B)	4507.0 mm	(N)	667.0 mm
(C)	4400.0 mm	(O)	930.0 mm
(D)	4035.0 mm	(P)	1700.0 mm
(E)	2290.0 mm	(Q)	2100.0 mm
(F)	2100.0 mm	(R)	4812.0 mm
(G)	136.0°	(S)	3717.0 mm
(I)	1587.0 mm	(U)	1383.0 mm
(J)	264.0 mm		