

**Compaction Rollers (Walk Behind)**

<b>OPERATING WEIGHT</b>	476 - 700 kg
<b>GROSS ENGINE POWER</b>	5.4/5.5/6.0 kW (7.2/7.4/8.0 hp)
<b>DRUM WIDTH</b>	650 to 710mm
<b>STATIC LINEAR LOAD</b>	5.3 to 7.2 kg/cm
<b>CENTRIFUGAL FORCE</b>	9.0 to 16.0 kN



**COMPACTION ROLLERS**

- Single Drum (1-71 and MBR71) or Twin Drum (2-65)
- Drum widths from 650mm to 710mm - Operating weights from 476 to 700 kg.
- Powerful and reliable air cooled engines, with hydrostatic transmission for power.
- Superb service access and easy to service components.
- High quality heavy duty design with in-built vandal protection - "rental tough".
- Heavy duty vibration system with high centrifugal force, frequency and static linear load reduces the number of passes required.
- Ergonomic control lever for simple and easy operation of all functions.

**Specifications (Performance)**

	1-71	MBR71	2-65
Total Static Basic Weight (kg)	461	500	680
Operating Weight (kg) CECE	476	512	700
Static Linear load (kg/cm)	6.7	7.2	5.3
Frequency - Hz (VPM)	65 (3900)	65 (3900)	62 (3720)
Amplitude (mm)	0.66	0.66	0.55
Centrifugal Force (kN)	9.0	9.0	16.0

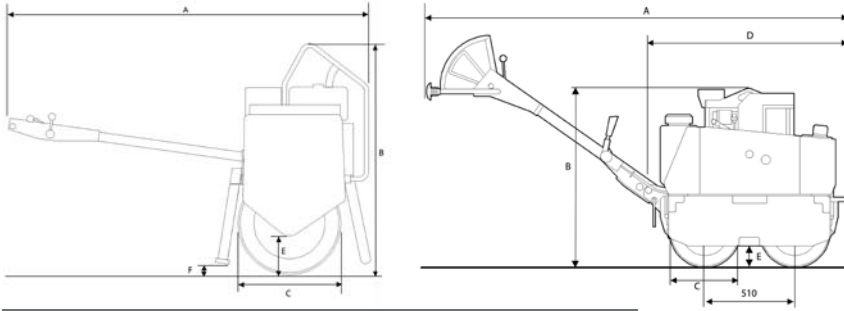


# TEREX

## Compaction Rollers (Walk Behind)

# 1-71 MBR71 2-65

### Dimensions



### Dimensions (mm)

	1-71	MBR71	2-65
A - Overall Length (mm)	2180	2180	2380
B - Overall Height (mm)	1300	1300	1030
C - Drum Diameter (mm)	575	575	400
D - Folded Length (mm)	n/a	n/a	1120
E - Curb Clearance (mm)	230	230	130
F - Ground Clearance (mm)	170	170	n/a
Overhang - Left / Right (mm)	20/110	20/110	100/25
Drum Width (mm)	710	710	650
Drum Shell Thickness (mm)	8.0	8.0	8.0

### Engine & Drive

	1-71	MBR71	2-65
Engine Make	Hatz		
Engine Model	1D41S		
Cylinders	1	1	1
Displacement (cc)	413	413	413
Cooling	Air		
Power - kW (HP)	5.4 (7.2)	5.5 (7.4)	6.0 (8.0)
Operating Speed (rpm)	2600		
Fuel Type	Diesel		
Drive	Hydrostatic		
Travel Speed (kph)	3.2	3.2	3.2
Braking System - Service	Dynamic Hydrostatic		
Braking System - Parking	Spring Apply / Hydraulic Release		



### Capacities

	1-71	MBR71	2-65
Hydraulic Tank Capacity (litres)	n/a	7.5	16
Fuel Tank Capacity (litres)	5	5	5
Water Tank Capacity (litres)	25	20	35

### Standard Equipment & Options

#### Standard Equipment

Gravity Fed Water System
Drum Scraper Bars Front and Rear (both drums on 2-65)
Removable plastic water and oil tanks for easy servicing (2-65 only)
Low maintenance battery
Emergency Release Free Wheel Valve (for Towing)* *(1-71 and MBR71 only)
Integral lifting points
Vandal Protection Package - Lockable instrument cover to deter vandals / thieves

#### Optional Equipment

Hydraulic Breaker attachment, tool, valve and hosing - 30 l/min (MBR71)
Tow behind trailer with breaker storage box (1-71 and MBR71)
Electric starting with Hour Meter

Dealer



TEREX Construction  
Central Boulevard, ProLogis Park,  
Coventry, England CV6 4BX

PHONE ++44 (0) 2476 339400  
FAX ++44 (0) 2476 339500  
EMAIL [enquiries@terexce.com](mailto:enquiries@terexce.com)  
WEB [www.terexce.com](http://www.terexce.com)

[www.terex.com](http://www.terex.com)

For further information, please contact your local distributor or the Terex sales office listed. Terex pursues a policy of continuous development for its products. Product specifications are subject to change without notice or obligation. The photographs and drawings in this brochure are for illustrative purposes only. Refer to the appropriate Operator's Manual for instructions on the proper use of this equipment. Failure to follow the appropriate Operator's Manual when using our equipment or to otherwise act irresponsibly may result in serious injury or death. Prices and specifications subject to change without notice. The only warranty applicable is the standard written warranty applicable to the particular product and sale. Terex makes no other warranties, whether expressed or implied. Products and services listed may be trademarks, service marks or trade-names of Terex Corporation and/or its subsidiaries in the USA and other countries and all rights are reserved. "Terex" is a Registered Trademark of Terex Corporation in the USA and many other countries. Copyright ©09.2006 Terex Corporation

RS PED 0107-EN



Printed on material using 55% recycled fibre from both pre and post-consumer sources, together with 45% virgin ECF fibre from sustainable forests.