

# ROUGH-TERRAIN SCISSOR LIFTS

**H12 SXL**  
**H15 SXL**  
**H18 SXL**



- 23ft 11in x 6ft 3in (7.3 m x 1.9 m) platform.\*
  - 1544 lb (700 kg) platform capacity.
  - Rated capacity includes twin extension decks.
  - 40% gradeability.
  - Standard 4 wheel drive.
- \* with both extension decks fully extended.

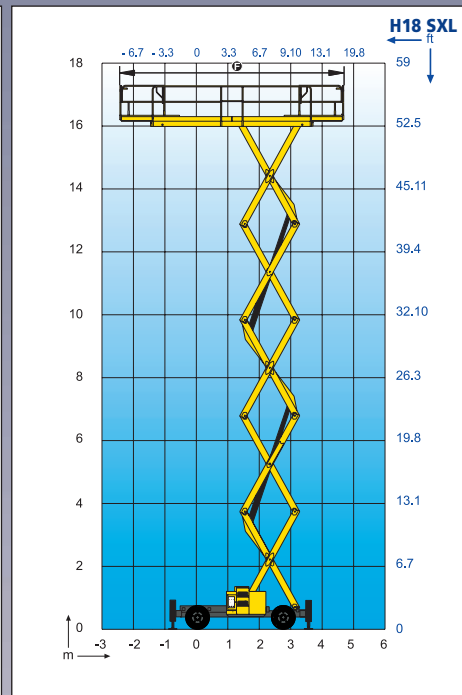
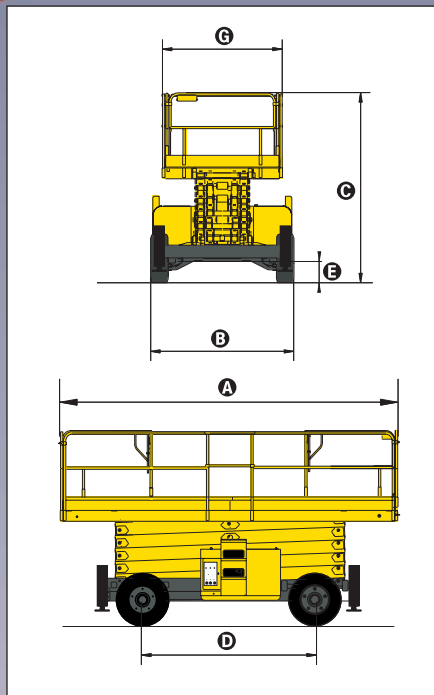


# H12 SXL H15 SXL H18 SXL

# Rough-terrain scissor lifts

## The Haulotte® advantages

- Double extension decks for increased working area
- Hydraulic differential lock for improved rough terrain capability
- Maximum drive speed : 6 km/h / 3,7 mph
- Compact stowed height and width makes transportation and manoeuvrability easier
- Quick acting stabilisers suitable for levelling on most terrains
- Foam filled tyres
- Full proportional controls
- Robust, reliable and easy to maintain design



## STANDARD FEATURES

- 4 wheel drive (2 front steering wheels)
- 2° tilt alarm
- Load limiter in platform
- 12 V - 95 Ah batteries
- 14 V - 50 A alternator
- Removable operator's control box
- Free wheeling device
- Hourmeter
- Horn
- Towing hooks
- Hydraulic brakes
- Manual emergency lowering system
- Automatic levelling outriggers

## OPTIONS & ACCESSORIES

- Rotating beacon
- Travel alarm
- Mains power outlet on platform
- Working light
- Encoded starting device
- Biodegradable hydraulic oil
- Motion alarm for movements and translation
- Non-marking tyres
- Hot weather kit
- 3kW generator

## SPECIFICATIONS

	H12 SXL	H15 SXL	H18 SXL
Working Height	12 m / 39ft 4in	15 m / 49ft 3in	18 m / 59ft 1in
Platform Height	10 m / 33ft 10in	13 m / 42ft 8in	16 m / 52ft 6in
Platform Capacity	700 kg / 1544 lb	500 kg / 1103 lb	500 kg / 1103 lb
<b>A</b> Length	5.30 m / 17ft 5in		
<b>B</b> Width	2.25 m / 7ft 5in		
<b>C</b> Stowed Height	2.57 m / 8ft 5in	2.77 m / 9ft 1in	2.97 m / 9ft 9in
Travel/transport Height	1.71 m / 5ft 7in	1.91 m / 6ft 3in	2.11 m / 6ft 11in
<b>D</b> Wheelbase	2.75 m / 9ft 0in		
<b>E</b> Ground clearance	27 cm / 11in		
<b>F</b> x <b>G</b> Platform size	7.30 m x 1.90 m / 23ft 11in x 6ft 3in		
Platform extension	1 m / 3ft 3in		
Drive speed	1.6 - 3.2 - 6 km/h / 1 - 2 - 3.7 mph		
Outside turning radius	6.20 m / 20ft 4in		
Raise / Lower speed	43 / 65 s	46 / 57s	60 / 60 s
Engine	32 hp - 24kW		
Gradeability	40%		
Tyres (Foam Filled)	10 x 16.5"		
Hydraulic tank	100 l / 26 gal		
Fuel tank	65 l / 17 gal		
Weight	5.700 kg / 12.569 lb	6.530 kg / 14.399 lb	7.490 kg / 16.515 lb

AS1418.10



HAULOTTE UK LTD • STAFFORD PARK 6 • TELFORD - SHROPSHIRE TF3 3AT • TEL: +44 (0)1952 292753 • FAX: +44 (0)1952 292758 • E-mail: haulotte@haulotte.co.uk  
 HAULOTTE SCANDINAVIA AB • ARÖDS INDUSTRIVÄG 66 B • 422 43 HISINGS BACKA - SWEDEN • TEL: +46 31 744 32 90 • FAX: +46 31 744 32 99 • E-mail: hwallin@haulottese.se • www.haulottese.se  
 HAULOTTE AUSTRALIA PTY LTD • 65 LICOLA CRES • DANDENONG - VIC - 3175 • TEL: +61 (0)3 9706 6787 • FAX: +61 (0)3 9706 6797 • E-mail: sales@haulotte.com.au  
 HAULOTTE SINGAPORE PTE. LTD • 26 Changi North Road Way • SINGAPORE 498812 • TEL: +65 6536 3989 • FAX: +65 6536 3969 • E-mail: haulotteasia@haulotte.com

